

# MFR60PD

## MAYTAG® COMMERCIAL ENERGY ADVANTAGE™ RIGID-MOUNT FRONT-LOAD WASHER



### MORE ENERGY-SAVING SOLUTIONS THAN ANY OTHER BRAND

Maytag built the first appliance ever to receive the ENERGY STAR® label. Today we offer more high-efficiency laundry appliances than any other brand — from energy-efficient dryers to highly efficient ENERGY STAR®-qualified washers — to help you save money and build profits.



### MAYTAG® TURBOWASH™ SYSTEM

Specially designed spray baffles and tumble patterns provide more cleaning power while using less water, cutting costs and maximizing your profits.

#### FOR YOUR CUSTOMERS:

- Big-Load Design With Oversized Door Opening
- Easy-To-Use One-Touch Cycle Selection
- Display Shows Time Remaining
- Enhanced Super Cycle Options Increase Revenue

#### FOR YOUR OPERATION:

- Inverter Drive Technology For Better Efficiency And Longer Life
- Microprocessor Coin-Drop Helps Prevent Slugging
- Accu Trac® Audit System With Two-Way Data Communication
- Debit Card Compatibility
- Self-Diagnostic Feature Cuts Service Costs And Minimizes Downtime
- Easy Service Access
- Programmable LCD Digital Display In English, Spanish Or French

#### BUILT-TO-LAST™ FEATURES:

- The Best Warranty In The Business
- Extra-Large 3" Drain Valve
- Commercial-Duty Door Handle, Belts And Frame
- Reliable Die-Cast Door Lock Assembly
- Durable Sealed Bearings
- Stainless Steel Top, Front And Sides

LAUNDRY SOLUTIONS  
YOU CAN *DEPEND ON.*

CUTS WATER USAGE BY UP TO 44%  
WITH THE TURBOWASH™ SYSTEM.\*

visit [maytagcommerciallaundry.com](http://maytagcommerciallaundry.com)

\* Compared to previous Maytag® MFR washers. Total savings may vary by model.

CLP764A



## OUR COMMITMENT TO DEPENDABLE QUALITY

At Maytag, we believe durable goods should remain just that. That's why every Maytag® product is constructed of the highest-quality materials and with the utmost in precision craftsmanship. It's also why we stand behind our equipment with solid service and support from our professional Maytag laundry suppliers. Simply put, when you choose Maytag® products, you ensure your peace of mind.



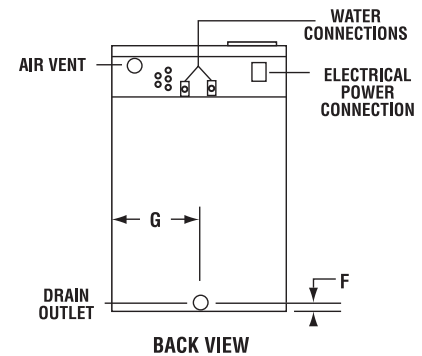
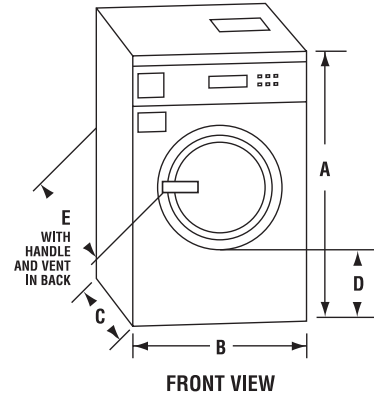
## MFR60PD

MAYTAG® COMMERCIAL ENERGY ADVANTAGE™ RIGID-MOUNT FRONT-LOAD WASHER

### Maytag® Energy Advantage™ Rigid-Mount Washer Extractor MICROPROCESSOR COIN-DROP

WASHER SPECIFICATIONS	
<b>MODELS</b>	MFR60PD
<b>MOTOR</b>	
Inverter drive	•
Variable speed	•
HP (kw)	3 (2.2)
Voltage	208 – 240V Single-Phase/Three-Phase
<b>AMPERAGE SUPPLY</b>	20
<b>SPEED</b>	
Extract speed — maximum rpm	490
Extract speed — maximum g-force	100
<b>LIQUID SOAP SIGNALS</b>	8
<b>WATER INLET/HOSE</b>	
Water inlet — ft. (m)	5 (1.52)
Operating pressure — psi (bar)	14.5 – 116 (1 – 8)
Drain size — ft. (m)	.25 (.076) O.D.
<b>CAPACITY</b>	
Lbs. (kg)	60 (27)
Cylinder volume — cu. ft. (liters)	9.5 (270)
Cylinder diameter — in. (mm)	29.5 (749.3)
Cylinder depth — in. (mm)	24.0 (609.6)
<b>COLOR</b>	
Stainless Steel	•
<b>APPROXIMATE WEIGHT</b>	
Crated — lbs. (kg)	1,037 (470)
Uncrated — lbs. (kg)	904 (410)
<b>DIMENSIONS</b>	
A) Height — in. (mm)	54.33 (1380)
B) Width — in. (mm)	34.25 (870)
C) Depth — in. (mm)	40.95 (1040)
D) Floor to bottom of door — in. (mm)	15.03 (381.7)
E) Depth including handle and vent on back — in. (mm)	44.88 (1140)
F) Floor to drain outlet center — in. (mm)	3.46 (88)
G) Side to drain outlet center — in. (mm)	17.13 (435)
Door opening diameter — in. (mm)	19.84 (504)

See specific instructions for proper installation.  
Because of continuous product improvement, Maytag reserves the right to change specifications without notice.



### THE BEST WARRANTY IN THE BUSINESS — 5 YEARS ON ALL PARTS

For a period from the date of original purchase through the time listed above, the designated parts that fail in normal commercial use will be repaired or replaced free of charge for the part itself, with the owner paying all other costs, including labor, transportation and customs duty. Chemical damage is excluded from all warranty coverage. See complete warranty for details.

For more information and pricing, contact:

**Equipment Marketers**

100 Melrose Avenue  
Cherry Hill, NJ 08003

Phone: 800.223.1376  
Fax: 856.428.5477

www.equipmentmarketers.net maytag@equipmentmarketers.net