

MFR30PD

MAYTAG® COMMERCIAL ENERGY ADVANTAGE™ RIGID-MOUNT FRONT-LOAD WASHER



LEGENDARY MAYTAG DEPENDABILITY

Maximizing your equipment investment for over a half century.

MORE ENERGY-SAVING SOLUTIONS THAN ANY OTHER BRAND

Maytag built the first appliance ever to receive the ENERGY STAR® label. Today we offer more high-efficiency laundry appliances than any other brand—from energy-efficient dryers to highly efficient ENERGY STAR®-qualified washers—to help you save money and build profits.

MAYTAG® TURBOWASH™ SYSTEM

Specially designed spray baffles and tumble patterns provide more cleaning power while using less water, cutting costs and maximizing your profits.

FOR YOUR CUSTOMERS:

- Big-Load Design With Oversized Door Opening
- Easy-To-Use One-Touch Cycle Selection
- Time Remaining Display

FOR YOUR OPERATION:

- Enhanced Super Cycle Options Increase Revenue
- Inverter Drive Technology For Better Efficiency And Longer Life
- Microprocessor Coin-Drop Helps Prevent Slugging
- Accu Trac® Audit System With Two-Way Data Communication
- Debit Card Compatibility
- Self-Diagnostic Feature Cuts Service Costs And Minimizes Downtime
- Easy Service Access
- Programmable LCD Digital Display In English, Spanish Or French

BUILT-TO-LAST™ FEATURES:

- Extra-Large 3" Drain Valve
- Commercial-Duty Door Handle, Belts And Frame
- Reliable Die-Cast Door Lock Assembly
- Durable Sealed Bearings
- Stainless Steel Top, Front And Sides
- Best Warranty In The Business—5 Years On All Parts



LAUNDRY SOLUTIONS
YOU CAN *DEPEND* ON.

CUTS WATER USAGE BY UP TO 44%
WITH THE TURBOWASH™ SYSTEM*

* Compared to previous Maytag® MFR washers. Total savings may vary by model.

visit maytagcommerciallaundry.com

CLP775A



OUR COMMITMENT TO DEPENDABLE QUALITY

At Maytag, we believe durable goods should remain just that. That's why every Maytag® product is constructed of the highest-quality materials and with the utmost in precision craftsmanship. It's also why we stand behind our equipment with solid service and support from our professional Maytag laundry suppliers. Simply put, when you choose Maytag® products, you ensure your peace of mind.



MFR30PD

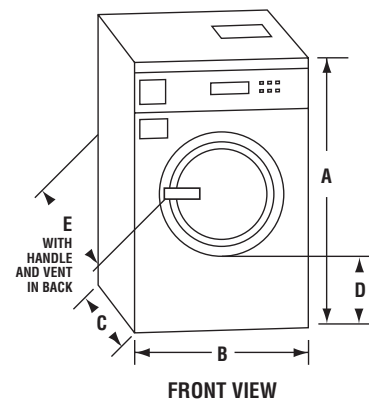
MAYTAG® COMMERCIAL ENERGY ADVANTAGE™ RIGID-MOUNT FRONT-LOAD WASHER

Maytag® Commercial Energy Advantage™ Rigid-Mount Front-Load Washer

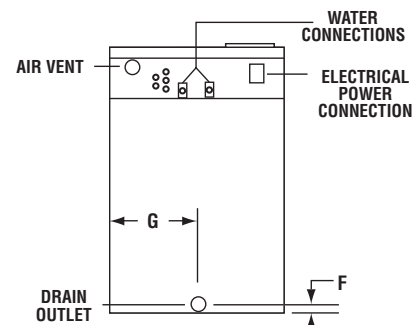
MICROPROCESSOR COIN-DROP

WASHER SPECIFICATIONS	
MODEL	MFR30PD
MOTOR	
Inverter drive	•
Variable speed	•
HP (kw)	1 (.75)
Voltage	208 – 240V Single-Phase/Three-Phase
BREAKER SIZE — amps	15
SPEED	
Wash speed — rpm	45
Extract speed — maximum rpm	525
Extract speed — maximum g-force	100
LIQUID SOAP SIGNALS	8
WATER INLET/HOSE	
Water inlet hose length — ft. (m)	5 (1.52)
Operating pressure — psi (bar)	14.5 – 116 (1 – 8)
Drain size diameter/drain hose length — ft. (m)	3.0 (76) O.D./1.67 (.5)
CAPACITY	
Lbs. (kg)	30 (13)
Cylinder volume — cu. ft. (liters)	4.6 (130.2)
Cylinder diameter — in. (mm)	25.6 (650)
Cylinder depth — in. (mm)	15.6 (396)
COLOR	
Stainless Steel	•
APPROXIMATE WEIGHT	
Crated — lbs. (kg)	452 (205)
Uncrated — lbs. (kg)	430 (195)
DIMENSIONS	
A) Height — in. (mm)	48.2 (1225)
B) Width — in. (mm)	29.5 (750)
C) Depth — in. (mm)	29.13 (740)
D) Floor to bottom of door — in. (mm)	16.9 (430)
E) Depth including handle and vent on back — in. (mm)	32.3 (820)
F) Floor to drain outlet center — in. (mm)	3.4 (86)
G) Side to drain outlet center — in. (mm)	14.8 (375)
Door opening — in. (mm)	16.1 (409)

See specific instructions for proper installation. Because of continuous product improvement, Maytag reserves the right to change specifications without notice.



FRONT VIEW



BACK VIEW

NEW YORK CITY
N.Y.C.



THE BEST WARRANTY IN THE BUSINESS — 5 YEARS ON ALL PARTS

For a period from the date of original purchase through the time listed above, the designated parts that fail in normal commercial use will be repaired or replaced free of charge for the part itself, with the owner paying all other costs, including labor, transportation and customs duty. Chemical damage is excluded from all warranty coverage. See complete warranty for details.

For more information and pricing, contact:

Equipment Marketers

100 Melrose Avenue
Cherry Hill, NJ 08003

Phone: 800.223.1376

Fax: 856.428.5477

www.equipmentmarketers.net maytag@equipmentmarketers.net